

HF SERIES BATTERIES

- High rate capacities from 135 watts /cell to 890 watts / cell (10 minute rate to 1.60 Vpc)
- Utilise radial grid design and special tin alloy
- Designed for superior high rate discharge performance.
Recommended discharge time of 1 hour or less



General Specifications

Battery Model No.	Nominal Voltage (Volts)	Nominal Capacity @ 10 Hr to 1.80 Vpc (Ah)	Length (mm)	Width (mm)	Height (mm)	Weight (kg)	Terminal Type	Internal Impedance (milliohms)	Short Circuit Current (Amps)
HF12-135	12	24.0	166	172	125	9.0	F13	6.5	850
HF12-211	12	45.0	197	165	170	14.8	F11	6.0	1680
HF12-370	12	80.0	350	167	179	26.2	F11	5.0	2100
HF12-560	12	120.0	410	175	227	37.7	F12	2.9	3100
HF12-890	12	200.0	522	238	223	67.0	F12	2.2	4300

Note: Refer to FM series page for terminal details.

PERFORMANCE DATA

Constant Power Discharge (Watts per cell) @ 25°C

Final Voltage 1.67 Vpc

Model Number	5 Mins	10 Mins	15 Mins	20 Mins	25 Mins	30 Mins	45 Mins	1 Hour
HF12-135	182	127	98.5	78.5	66.7	58.7	42.8	34.2
HF12-211	292	198	159	127	107.5	94.5	68.9	55.6
HF12-370	472	350	272	221	190	169	127	101.5
HF12-560	682	529	436	357	310	278	203	162
HF12-890	1030	841	694	577	506	460	335	269

Final Voltage 1.70 Vpc

Model Number	5 Mins	10 Mins	15 Mins	20 Mins	25 Mins	30 Mins	45 Mins	1 Hour
HF12-135	178	125	96.7	77.2	65.5	57.7	42.2	33.7
HF12-211	286	195	157	125	106	92.9	67.8	54.8
HF12-370	456	343	267	217	187	167	125	100
HF12-560	666	518	428	351	304	273	200	160
HF12-890	1007	824	681	567	498	452	329	265

Final Voltage 1.75 Vpc

Model Number	5 Mins	10 Mins	15 Mins	20 Mins	25 Mins	30 Mins	45 Mins	1 Hour
HF12-135	169	120	93.1	74.4	63.2	55.7	40.9	32.7
HF12-211	272	187	151	120	102	89.6	65.7	53.2
HF12-370	434	329	257	209	180	161	121	97.4
HF12-560	635	497	412	338	293	264	193	155
HF12-890	960	790	656	546	480	436	319	257

YHI POWER PTY LTD (Australia)



Head Office (Australia)
1044 – 1046 Canley Vale Road,
Wetherill Park, NSW 2164
Ph: (02) 8787 9218
Fax: (02) 9756 4066

Melbourne Office Ph: 0413 381 228
Brisbane Office Ph: 0422 000 276
Email: sales@yhipower.com.au
Website: www.yhipower.com.au

YHI (New Zealand) Ltd

PO Box 97 - 116
South Auckland Mail Centre
Ph: (09) 262 4210
Fax: (09) 262 4211
Email: powersales@yhi.co.nz

FM & HF Series



IQNet
ISO 9001
No. 4400/200315564

10 YEAR DESIGN LIFE AGM VRLA BATTERIES

Reliable Power For Industrial Applications

- Maintenance Free Valve Regulated
- Non-spillable - Can be used in office environment.
- Can be operated in horizontal or vertical position.
- 10 year design life (under float conditions @ 25 ° C)
- Low internal resistance & high discharge rate performance
- Wide Operating temperature range (-15 ° C to 45 ° C)
- Available in Standard and flame retardant ABS containers
- Manufactured under a certified ISO9001 Quality System
- Meets IATA A67 air freight specification



HF (High Rate) Series 24 Ah to 200 Ah

Applications

- Telecommunications
- UPS Systems
- Switchgear and Control
- Emergency Lighting
- Fire Alarm & Security

FM Series 33 Ah to 225 Ah



FM SERIES BATTERIES

- 6 Volt & 12 Volt Monoblocks
- Certified to meet BS6290 Part IV
- Utilise thick lead calcium alloy grids
- Widely used in Australia since 2001.

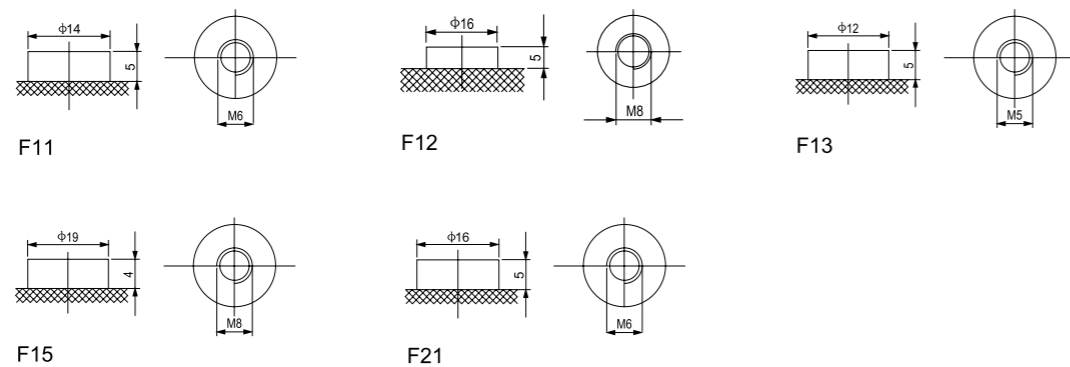


General Specifications

Battery Model No.	Nominal Voltage (Volts)	Nominal Capacity @ 20 Hr to 1.75 Vpc (Ah)	Length (mm)	Width (mm)	Height (mm)	Weight (kg)	Terminal Type	Internal Impedance (milli - ohms)	Short Circuit Current (Amps)
6FM33	12	33.0	195	130	169	10.2	F11	10.0	1200
6FM40	12	40.0	197	165	170	13.5	F11	9.5	1260
6FM55	12	55.0	236	132	210	18.0	F11	6.0	2000
6FM65	12	65.0	355	167	179	22.2	F11	6.0	2000
6FM75	12	75.0	258	166	206	24.0	F11	5.7	2100
6FM90	12	90.0	306	169	215	30.0	F21	5.2	2100
6FM100	12	100.0	330	171	220	32.0	F11	5.0	2400
6FM120S	12	120.0	330	171	220	32.5	F11	4.3	2790
6FM134R	12	134.0	342	172	277	42.5	F15	3.8	3150
6FM150	12	150.0	485	172	240	47.0	F12	4.0	3000
6FM200	12	200.0	522	238	223	65.0	F12	3.6	3150
3FM225	6	225.0	320	176	225	30.5	F12	1.6	3800

Note: Heights shown are to top of terminal for insert type battery terminals

Terminal Type



FM SERIES PERFORMANCE DATA

Constant Power Discharge (Watts per cell) @25°C

Final Voltage 1.67 Vpc

Model Number	15 Mins	20 Mins	30 Mins	45 Mins	1 Hour	2 Hours	3 Hours	4 Hours	8 Hours	10 Hours	24 Hours
6FM33	108.5	88.8	67.0	52.2	40.3	22.9	17.1	13.7	7.7	6.40	2.9
6FM40	126	103.5	81.6	62.3	50.8	28.7	21.3	16.8	9.8	8.4	3.8
6FM55	173	140	108	83.2	66.5	39.8	28.2	21.9	12.4	10.3	4.6
6FM65	202	162	123	95.6	78.1	44.9	33.7	26.7	15.2	12.8	5.8
6FM75	239	194	149	115	91.8	52.2	39.0	31.0	17.5	14.5	6.6
6FM90	296	236	176	135	110	63.2	47.7	37.7	21.2	17.5	8.1
6FM100	307	247	186	145	116	67.3	51.0	41.1	23.8	20.0	9.1
6FM120S	352	284	217	151	142	75.8	55.2	44.4	24.7	20.4	9.3
6FM134R	430	345	260	198	156	91.4	70.0	55.3	31.2	26.0	11.9
6FM150	487	395	302	232	184	108	83.6	64.9	35.3	29.2	13.3
6FM200	596	491	386	283	223	135	106	84.5	47.0	38.8	17.7
3FM225	640	530	421	318	262	153	116	94.0	53.4	44.2	20.2

Final Voltage 1.70 Vpc

Model Number	15 Mins	20 Mins	30 Mins	45 Mins	1 Hour	2 Hours	3 Hours	4 Hours	8 Hours	10 Hours	24 Hours
6FM33	107	85.8	64.5	51.2	39.9	22.6	16.8	13.5	7.6	6.3	2.8
6FM40	124	102	80.3	60.5	50.3	28.3	20.9	16.5	9.7	8.4	3.8
6FM55	169	138	107	82.3	65.8	39.4	27.9	21.9	12.4	10.3	4.6
6FM65	197	158	118	94.5	77.2	44.6	33.7	26.6	15.2	12.8	5.8
6FM75	237	191	145	111	89.8	51.6	38.9	30.8	17.3	14.4	6.6
6FM90	284	227	171	129	107	61.8	46.8	37.2	20.9	17.4	8.0
6FM100	299	241	183	137	114	66.8	50.9	41.0	23.8	20.0	9.1
6FM120S	346	280	213	150	141	75.0	54.8	44.1	24.4	20.4	9.3
6FM134R	427	343	258	195	154	90.6	69.5	54.8	30.8	25.7	11.7
6FM150	469	385	300	229	181	108	83.3	64.5	35	28.9	13.2
6FM200	586	484	382	279	221	134	105	83.9	46.6	38.4	17.6
3FM225	629	521	413	315	259	150	113	92.7	53.1	43.9	20.1

Final Voltage 1.75 Vpc

Model Number	15 Mins	20 Mins	30 Mins	45 Mins	1 Hour	2 Hours	3 Hours	4 Hours	8 Hours	10 Hours	24 Hours
6FM33	103	82.6	62.7	49.1	39.1	21.8	16.0	13.1	7.4	6.2	2.8
6FM40	120	98.9	77.7	59.3	49.5	27.8	20.6	16.3	9.5	8.2	3.7
6FM55	169	138	107	82.3	65.8	39.4	27.9	22.0	12.2	10.1	4.6
6FM65	193	155	116	92.4	75.4	43.2	32.4	25.9	15.0	12.7	5.8
6FM75	223	183	142	111	86.5	50.3	38.3	30.6	17.2	14.2	6.4
6FM90	281	224	167	128	103	59.8	45.4	36.2	20.5	17.1	7.8
6FM100	294	236	177	134	111	64.5	49.1	39.9	23.3	19.6	8.9
6FM120S	334	270	206	146	137	73.6	54.1	44.0	24.0	20.3	9.3
6FM134R	414	334	254	192	152	89.5	68.6	53.7	30.1	25.2	11.5
6FM150	444	369	294	224	177	106	82.1	63.4	34.4	28.5	13.0
6FM200	578	475	372	274	217	130	101	81.8	45.8	37.6	17.2
3FM225	608	502	396	308	254	147	112	91.4	52.2	43.3	19.8

Final Voltage 1.80 Vpc

Model Number	15 Mins	20 Mins	30 Mins	45 Mins	1 Hour	2 Hours	3 Hours	4 Hours	8 Hours	10 Hours	24 Hours
6FM33	97.9	79.5	61	48.8	38.3	21	15.2	12.6	7.2	6.0	2.7
6FM40	116	95.5	75	58	48.6	27.3	20.2	16.1	9.4	8.0	3.6
6FM55	154	129	104	78.4	64.3	37.4	26.7	21.2	12.0	10.0	4.6
6FM65	183	149	114	91.2	75.0	42.5	31.7	25.5	14.9	12.6	5.7
6FM75	212	176	141	106	84.2	49.6	38.0	30.4	16.8	13.8	6.3
6FM90	267	215	163	125	101	59.1	45.2	35.9	20.1	16.7	7.6
6FM100	279	225	171	131	104	62.5	48.5	39.4	22.8	19.1	8.7
6FM120S	322	260	199	143	133	72.9	53.2	43.2	23.9	20.0	9.2
6FM134R	391	319	247	189	150	88.7	68.2	53.1	29.4	24.5	11.2
6FM150	425	357	289	221	175	104	80.8	62.2	33.7	27.9	12.8
6FM200	554	459	364	270	215	127	98.0	80.1	44.9	36.7	16.8
3FM225	572	481	389	302	242	143	110	89.4	51.3	42.7	19.5